

332 Controller Cabinet

332A Panel Termination
332B Panduit Ducts
332S Stretch



Cabinets

Controllers

Signals

Signs

Software

Specialty

Overview

McCain's 332 Controller Cabinet is an industry standard 170/2070 style cabinet. Meeting all Federal Highway Administration (FHWA) and Caltrans Transportation Electrical Equipment Specifications (TEES) and Caltrans Traffic Signal Control Equipment Specifications (TSCES) specifications, the quality materials used and its rugged construction make it an excellent traffic controller cabinet when dependable and low-maintenance installation is required. Its 19-inch Electronics Industry Alliance (EIA) rack and modular design allow for the easy interchange of standard assemblies and components.

Benefits

- Rugged and dependable industry standard cabinet
- Standard assemblies assure interchangeability between manufacturers
- Full size doors (front and back) provide easy access to the cabinet's large interior
- Three-point latching system with industry standard locks for maximum security
- Available anti-graffiti coating reduces the effects of vandalism

Product Description

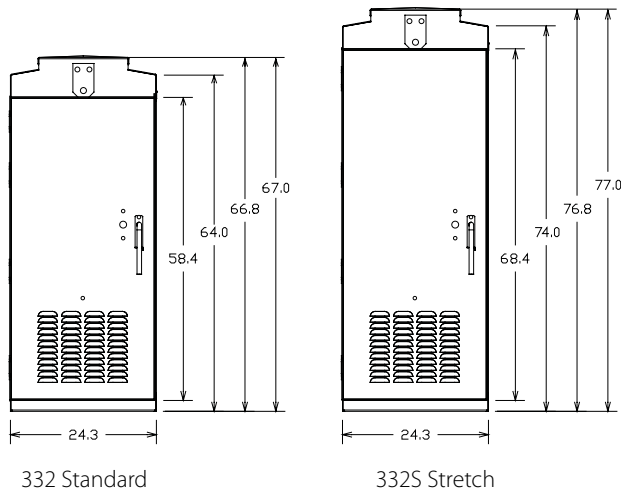
The McCain 332 Controller Cabinet is designed to house the 170 or 2070 controllers. This robust cabinet is constructed from marine-grade aluminum and is accessed via a front and back door making it durable and easily maintained. The cabinet comes equipped with industry standard features such as a 19-inch EIA rack, two 14-position input files, and a 12-position output file.

The standard cabinet offers an eight-phase, four-pedestrian operation with two right turn overlaps. Its 36 detector channel capability can be utilized with two-channel or four-channel detector modules.

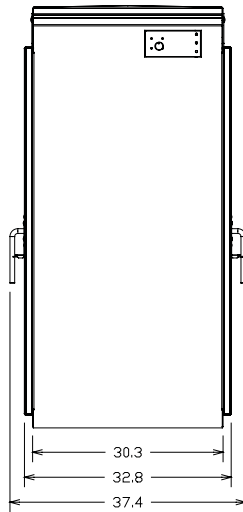
The cabinet is secured via a three-point latching system and protected with a padlock providing secure installations and easy access for maintenance.

332 Controller Cabinet

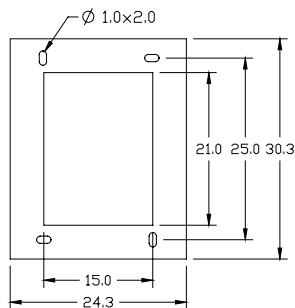
Front



Side



Base



Dimensions rounded to the nearest 0.1"

Standard Features

- 8-phase, 4-pedestrian operation (2 right turn overlaps available)
- 36 detector channel capability (3 per left turn, 6 per through movement)
- 2-channel or 4-channel industry standard detection modules
- Input panel with termination blocks (332A & 332S) or Panduit ducts (332B)
- Railroad preemption inputs (2)
- Emergency vehicle preemption inputs (4)
- Programmable "Yellow/Red" or "All Red" flashes through the use of flash plugs
- DC isolation inputs for pedestrian push buttons and special functions
- 210 Signal Monitor slot

Assemblies

- 14-position input files (2)
- 12-position output file
- Model PDA-2 combined power supply and Power Distribution Assembly or Model PDA-1 Power Distribution Assembly and separate 24 VDC power supply
- Flash transfer relay sockets (4)
- Dual-circuit flasher sockets (2)
- Input panel
- Service panel
- Police panel with signal "On/Off" and "Auto/Flash" switches

General Specifications

- Dimensions: Standard: 67" H x 24" W x 30" D
 Stretch: 77" H x 24" W x 30" D
 (Dimensions rounded to the nearest inch)
- Material: 5052-H32 aluminum, 0.125" thick
- Finishes: Natural, powder coat (standard, anti-graffiti, and custom colors), anodized
- Access: Front door (1), back door (1), both full size
- Latching System: 3-point, choice of Corbin or Best locks
- Handles: 3/4" round, stainless steel, with padlock feature
- Door Stops: 90° (±10°), each door, top
 90° and 180° (±10°), each door, bottom
- Rack Assembly: Removable 19" EIA rack
- Ventilation: Thermostatically controlled 100 CFM fan
 Louvered air intake in door, pleated filter
- Mounting: Base mounted
- Shipping Weight: Standard: 300 lbs Stretch: 325 lbs
 (weight without plug-ins or controller(s))

Options

- 3/4" x 16" anchor bolts for mounting (4)
- Fluorescent light(s)
- Sunshields
- Drawer assembly(s)
- Underwriters Laboratories Listing (cabinet housing)

2365 OAK RIDGE WAY // VISTA, CALIFORNIA 92081 // USA // WWW.MCCAIN-INC.COM

© 2012 McCain Inc. Updated 01/26/12. McCain reserves the right to change product specifications without notice. For the most up-to-date information, please contact McCain.

To learn more about McCain's Integrated Traffic Solutions, please contact info@mccain-inc.com or call (760) 727-8100

